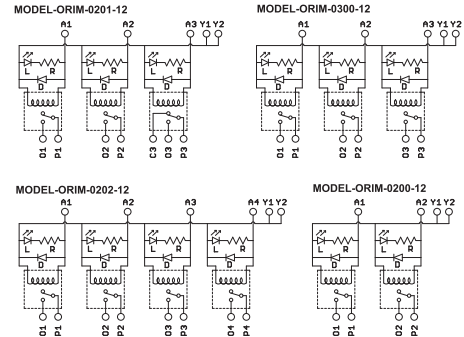
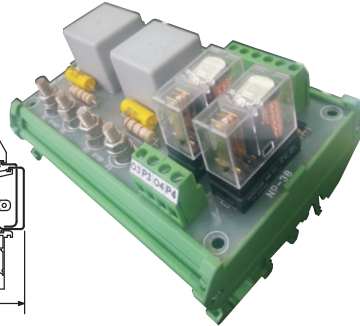
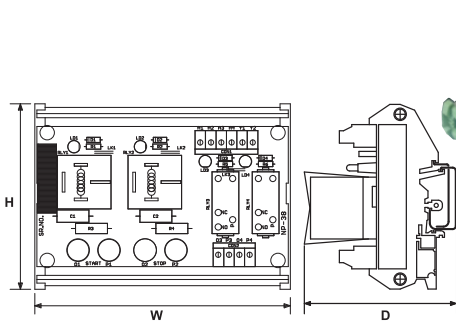


## Relay Interface Module

### High Current Module

Nuteck Power Solutions P Ltd.  
 1st Floor, 115/5, Ramtekdi Industrial Area,  
 Hadapsar, Pune-411013.  
 Tel : +91 26811162, Mob : +91 9552545012  
 Email : info@nuteck.in  
 Web : www.nuteck.in

## Relay Interface Module For Genset N/ FF ( High Current Modules)



|                          |                                                                                                                                                            |                                      |                        |                       |                        |                  |                        |
|--------------------------|------------------------------------------------------------------------------------------------------------------------------------------------------------|--------------------------------------|------------------------|-----------------------|------------------------|------------------|------------------------|
| Feature                  | 5 mm Green Led indication / Channel                                                                                                                        | operating Temperature                |                        | 0 - 70Deg.C / 85% RH  |                        |                  |                        |
|                          | Free wheeling Diode across coil                                                                                                                            | Storage Temperature                  |                        | -20 Deg.C - 85 Deg.C  |                        |                  |                        |
|                          | Positive Looping or Coils                                                                                                                                  | Mounting                             |                        | Din Rail / Panel      |                        |                  |                        |
|                          | Snubber For Power Contacts                                                                                                                                 |                                      |                        |                       |                        |                  |                        |
| Model No.                | RIM-0200-12                                                                                                                                                | RIM-0300-12                          | RIM-0201-12            |                       | RIM-0202-12            |                  |                        |
| Contact Configuration    | 2 NO Power                                                                                                                                                 | 3 NO Power                           | 2 NO Power, 1 C/O Aux. | 2 NO Power, 2 NO Aux. |                        |                  |                        |
| Relay                    | Type                                                                                                                                                       | Power                                |                        | Power                 | Aux.                   | Power            | Aux.                   |
|                          | Nom. operating Voltage                                                                                                                                     | 12VDC                                |                        |                       |                        |                  |                        |
|                          | Pick Up voltage                                                                                                                                            | Max. 60% o rated voltage             |                        | 60%                   | 70%                    | 60%              | 70%                    |
|                          | Drop out voltage                                                                                                                                           | Min. 10% o rated voltage             |                        | 10%                   | 15%                    | 10%              | 15%                    |
|                          | Max. operating Voltage                                                                                                                                     | Max. 150% o rated voltage            |                        | 150%                  | 110%                   | 150%             | 110%                   |
|                          | Coil Current per channel                                                                                                                                   | 150mA                                | 150mA                  | 150mA                 | 50mA                   | 150mA            | 50mA                   |
|                          | operate ( Set ) Time                                                                                                                                       | 15 mSec Max.                         |                        | 15 mSec.              | 15 mSec.               | 15 mSec.         | 15 mSec.               |
|                          | Release ( Reset ) Time                                                                                                                                     | 10 mSec Max.                         |                        | 10 mSec.              | 5 mSec.                | 10 mSec.         | 5 mSec.                |
| Endurance ( operations)  | Electrical                                                                                                                                                 | 1 X 10 <sup>5</sup> Operations Min.  |                        |                       |                        |                  |                        |
|                          | Mechanical                                                                                                                                                 | 1 X 10 <sup>7</sup> Operations Min.  |                        |                       |                        |                  |                        |
| Max. operating Frequency | Electrical                                                                                                                                                 | 600 Ops / Hr.                        |                        | 600 Ops / Hr.         | 1800 Ops / Hr.         | 600 Ops / Hr.    | 1800 Ops / Hr.         |
|                          | Mechanical                                                                                                                                                 | 10,800 Ops / Hr.                     |                        | 10,800 Ops / Hr.      | 18000 Ops / Hr.        | 10,800 Ops / Hr. | 18000 Ops / Hr.        |
| Dielectric Strength      | Between Coil to Contact (at 50/60Hz for 1Minute)                                                                                                           | 500VAC                               |                        | 500VAC                | 2KVAC,                 | 500VAC           | 2KVAC,                 |
|                          | Between Contacts of same Pole (at 50/60Hz for 1Minute)                                                                                                     | 500VAC                               |                        | 500VAC                | 1KVAC                  | 500VAC           | 1KVAC                  |
|                          | Between Contact of Ch. to Ch. (at 50/60Hz for 1Minute)                                                                                                     | 500VAC                               |                        | 500VAC                | 500VAC                 | 500VAC           | 500VAC                 |
| Contact Rating           | Relay                                                                                                                                                      | 70A at 14VDC                         |                        | 70A at 14VDC          | 10A at 30VDC / 250VAC  | 70A at 14VDC     | 10A at 30VDC / 250VAC  |
|                          | n Board                                                                                                                                                    | 70A at 14VDC                         |                        | 70A at 14VDC          | 5A at 30VDC / 250VAC   | 70A at 14VDC     | 5A at 30VDC / 250VAC   |
| Termination              | Coil Termination                                                                                                                                           | Screw Type, 2.5Sqmm,                 |                        |                       |                        |                  |                        |
|                          | Contact Termination                                                                                                                                        | 5mm Nut and Bolt For Lug termination |                        | Lug Termination       | Screw Type, 2.5 Sq.mm, | Lug Termination  | Screw Type, 2.5 Sq.mm, |
| Dimension                | W X D X H (mm)                                                                                                                                             | 92 X 90 X 72                         | 125 X 90 X 72          | 117 X 90 X 76         |                        | 124 X 90 X 76    |                        |
| Note:                    | 1. Coil Current including LED current.<br>2. Specifications are subject to change without prior notice due to constant improvement in design & technology. |                                      |                        |                       |                        |                  |                        |